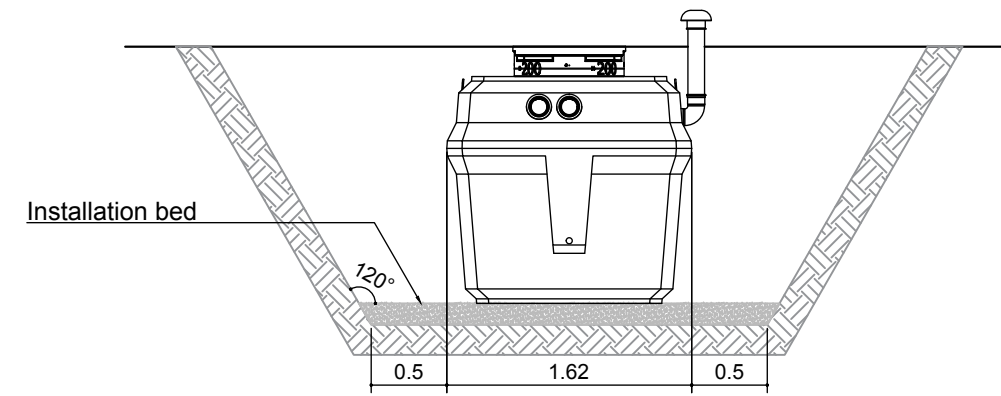
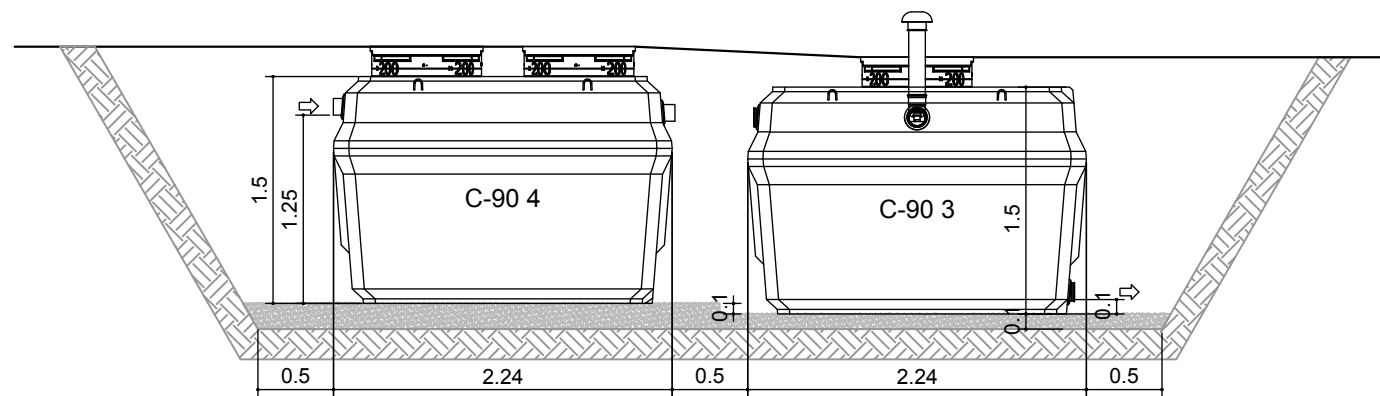
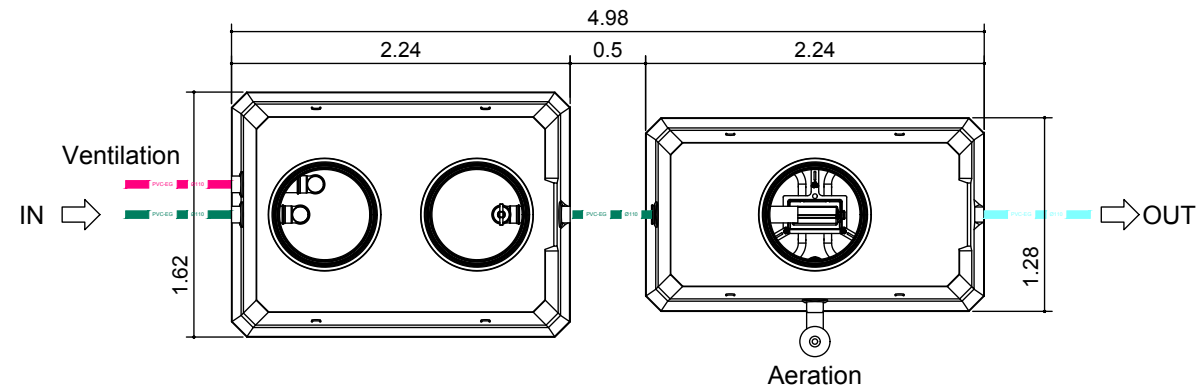


REMARKS:


1. **Installation requirements :**
Please read carefully the installation guide before any installation !!
2. **Dimensions tolerances:**
2%
3. **Option(s):**
Pipes, risers, lids and accessories in option.

X-PERCO C-90 5 PE (2)



PIPING LEGEND	
Type of product conveyed (colour)	
■ Waste water	■ Air blower
■ Cleaned water	■ Ventilation
■ Sludge	■ Electric sheath

Rev	DESCRIPTIONS	DATE	DESIGNER	VERIFIED BY	VALIDED BY
B		19/02/2020	ADMIN		
A		21/05/2019	ADMIN		

 Zoning de Damré, rue des Spinettes 13 4140 Sprimont (BELGIUM) Tel: +32(0)4/382.34.44 http://www.eloywater.com - info@eloywater.com	X-PERCO C90 5 PE (2) / 0.75 m³/day Site plan		
	STANDARD PRODUCT RANGE	1/50	A3
	X-PERCO C90 WW	EW-3900-5-I02-EN.dwg	