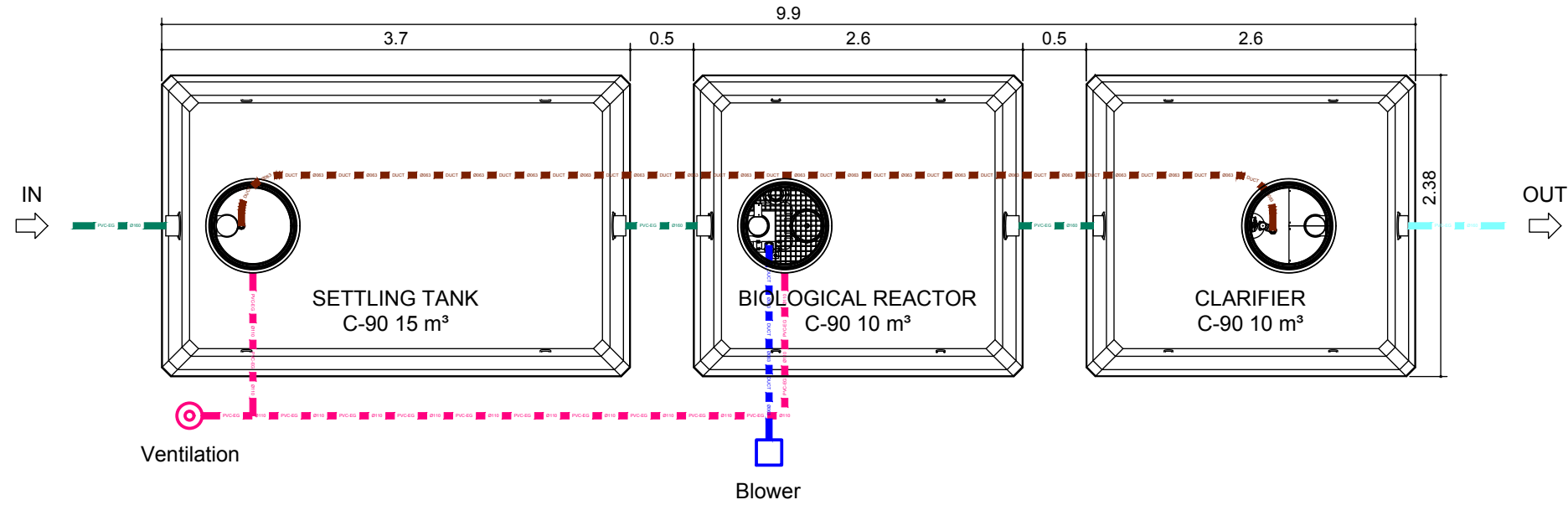
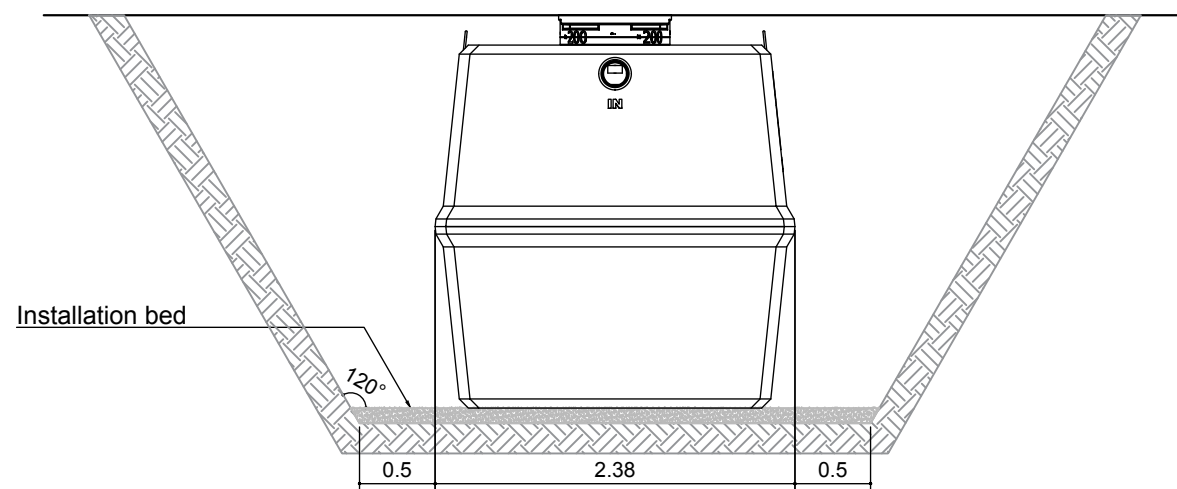
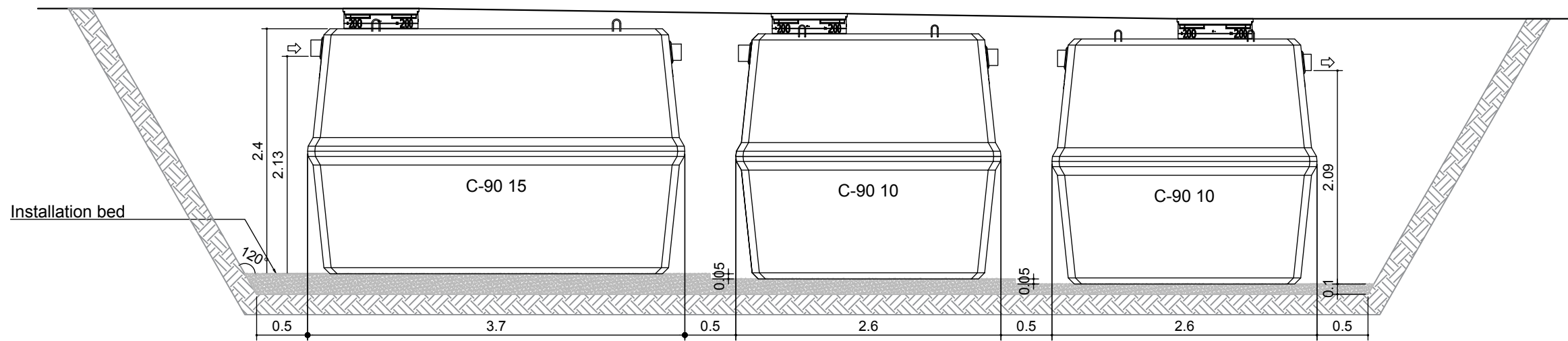


OXYFIX C-90 CB 39-58 PE (3)




PIPING LEGEND	
Type of product conveyed (colour)	
■	Waste water
■	Cleaned water
■	Sludge
■	Air blower
■	Ventilation
■	Electric sheath



REMARKS:

- Installation requirements :**
Please read carefully the installation guide before any installation !!
- Dimensions tolerances:**
2%
- Option(s):**
Pipes, risers, lids and accessories in option.

DATE	INDICES	MODIFICATIONS	VALIDATION		
			Compiled by: P. Hick	Checked by:	Validated by: P. Wilmet

 Zoning de Damré, rue des Spinettes 13 4140 Sprimont (BELGIUM) Tel: +32(0)4/382.44.00 - Fax: +32(0)4/382.44.01 http://www.eloywater.com - info@eloywater.com	OXYFIX C-90 CB 39-58 PE (3) / 8.70 m³/day Site plan									
	STANDARD PRODUCT RANGE OXYFIX EU	<table border="1"> <tr> <th>Scale</th> <th>Date</th> <th>Sheet</th> </tr> <tr> <td>1/50</td> <td>02/10/2017</td> <td>A3</td> </tr> <tr> <td>EW-2665</td> <td>R</td> <td>058 I001</td> </tr> </table>	Scale	Date	Sheet	1/50	02/10/2017	A3	EW-2665	R
Scale	Date	Sheet								
1/50	02/10/2017	A3								
EW-2665	R	058 I001								