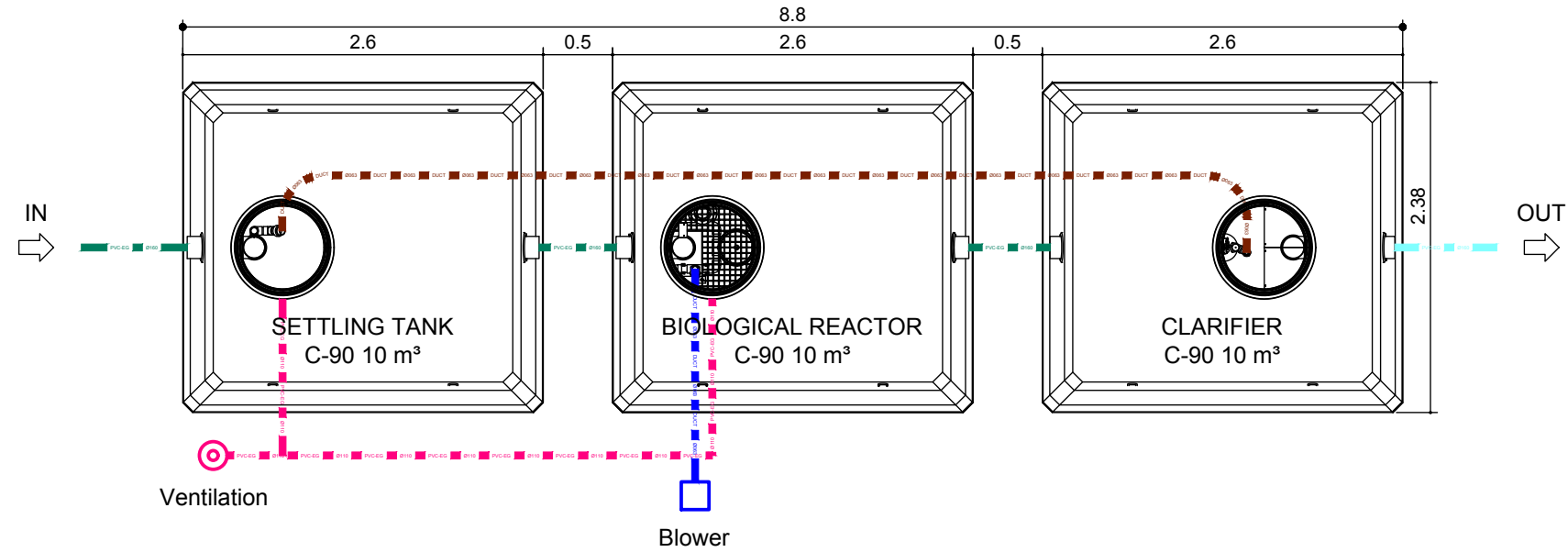
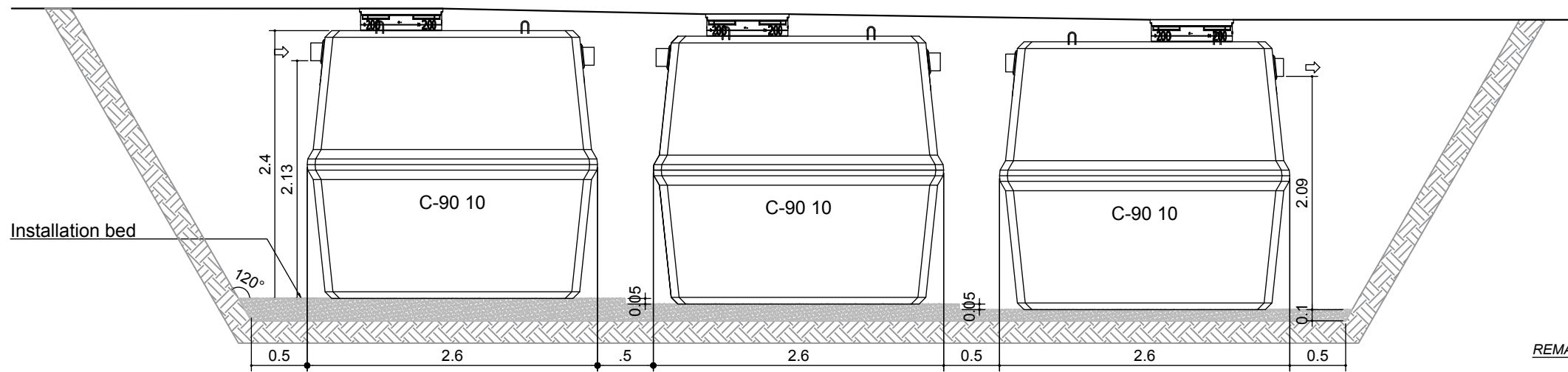


OXYFIX C-90 MB 28-38 PE (3)

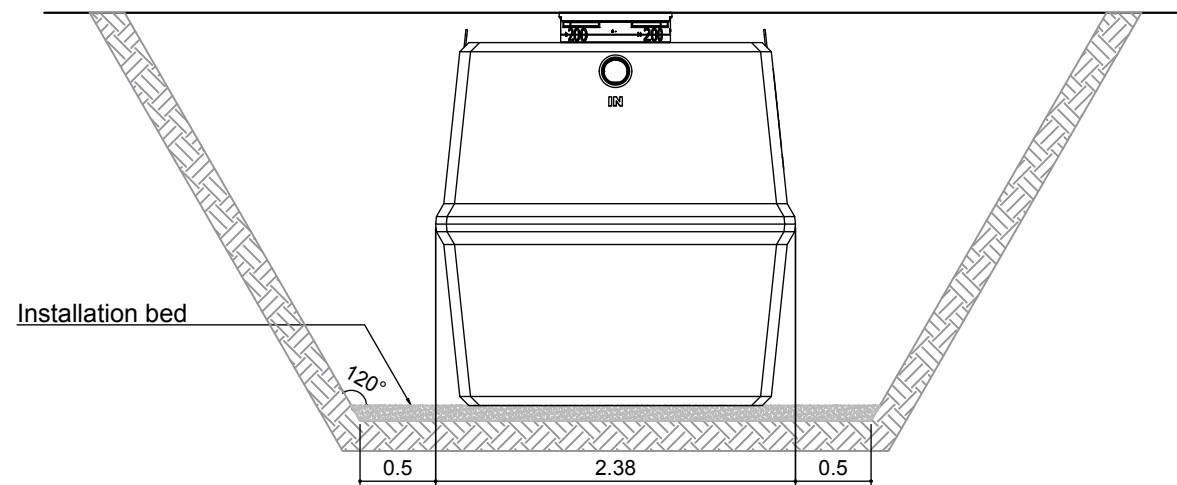


| PIPING LEGEND | |
|--------------------------------------|-----------------|
| Type of product conveyed (colour) | |
| ■ | Waste water |
| ■ | Cleaned water |
| ■ | Sludge |
| ■ | Air blower |
| ■ | Ventilation |
| ■ | Electric sheath |



REMARKS:

- Installation requirements :
Please read carefully the installation guide before any installation !!
- Dimensions tolerances:
2%
- Option(s):
Pipes, risers, lids and accessories in option.



| DATE | INDICES | MODIFICATIONS | VALIDATION | | |
|------|---------|---------------|-------------------------|-------------|----------------------------|
| | | | Compiled by: P. Hick | Checked by: | Validated by: P. Wilmet |

eloy water
 Zoning de Dammé, rue des Spinettes 13
 4140 Sprimont (BELGIUM)
 Tel: +32(0)4/382.44.00 - Fax: +32(0)4/382.44.01
 http://www.eloywater.com - info@eloywater.com

| OXYFIX C-90 MB 28-38 PE (3) / 5.70 m³/day Site plan | | | | | | | | |
|--|------------|---|-------|------|-------|------|------------|----|
| STANDARD PRODUCT RANGE OXYFIX EU | | <table border="1"> <tr> <th>Scale</th> <th>Date</th> <th>Sheet</th> </tr> <tr> <td>1/50</td> <td>02/10/2017</td> <td>A3</td> </tr> </table> | Scale | Date | Sheet | 1/50 | 02/10/2017 | A3 |
| Scale | Date | Sheet | | | | | | |
| 1/50 | 02/10/2017 | A3 | | | | | | |
| EW-2665 | R 038 I001 | - | | | | | | |