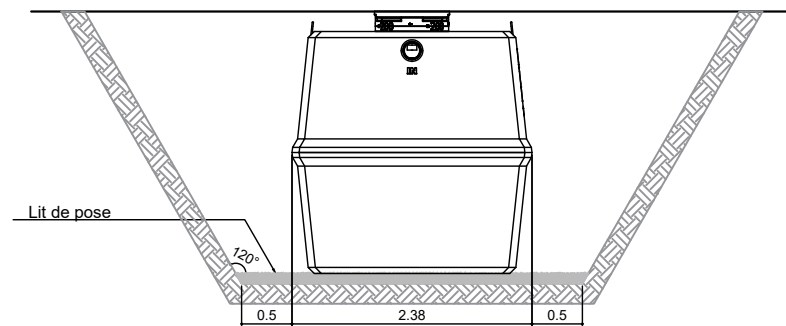
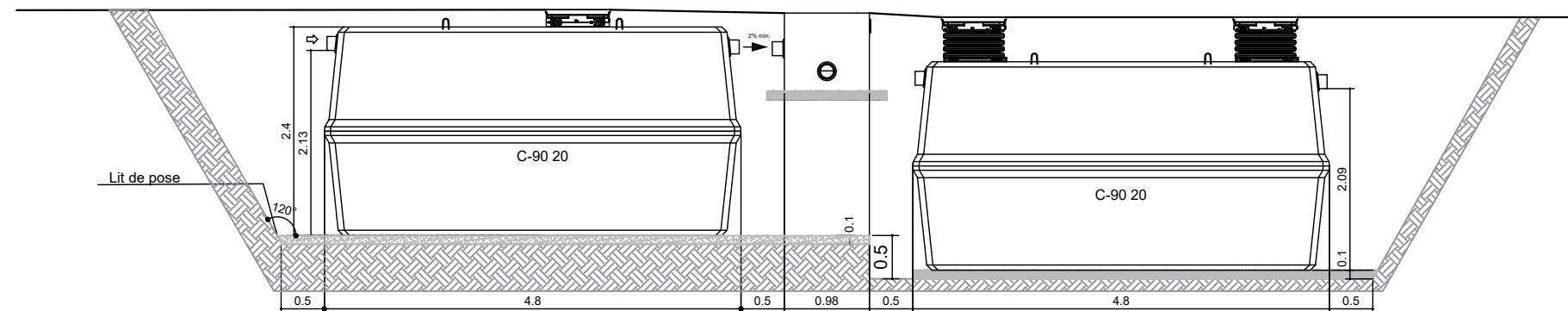


**LEGENDE TUYAUTERIE**  
Nature du produit véhiculé (couleur)

<span style="color: green;">█</span> Eau usée	<span style="color: blue;">█</span> Air surpressé
<span style="color: cyan;">█</span> Eau traitée	<span style="color: magenta;">█</span> Ventilation
<span style="color: brown;">█</span> Boue	<span style="color: black;">█</span> Gaine électrique



-4	Prototype	01/06/2023	CCOL	PDOU	MLEG
-3	Prototype	09/05/2023	LFOR	PDOU	MLEG
-2	Prototype	15/03/2023	LFOR	PDOU	MLEG
-1	Prototype	08/03/2023	LFOR	PDOU	MLEG
-	Prototype	23/11/2022	GMAR	PDOU	MLEG
Rev	DESCRIPTIONS	DATE	DESIGNER	VERIFIED BY	VALIDED BY

<p>Zoning de Damré, rue des Spinettes 13 4140 Sprimont (BELGIUM) Tel: +32(0)4/382.34.44 <a href="http://www.eloywater.com">http://www.eloywater.com</a> - <a href="mailto:info@eloywater.com">info@eloywater.com</a></p>	<b>OXYFIX C90 WW CB 175 EH (3) / 26.25 m³/jour</b> Plan d'Implantation			
	GAMME STANDARD	1/75	A3	
	OXYFIX C90 WW	EW-FIXWWC90CB-175-3-2023-I01-Fr.dwg		